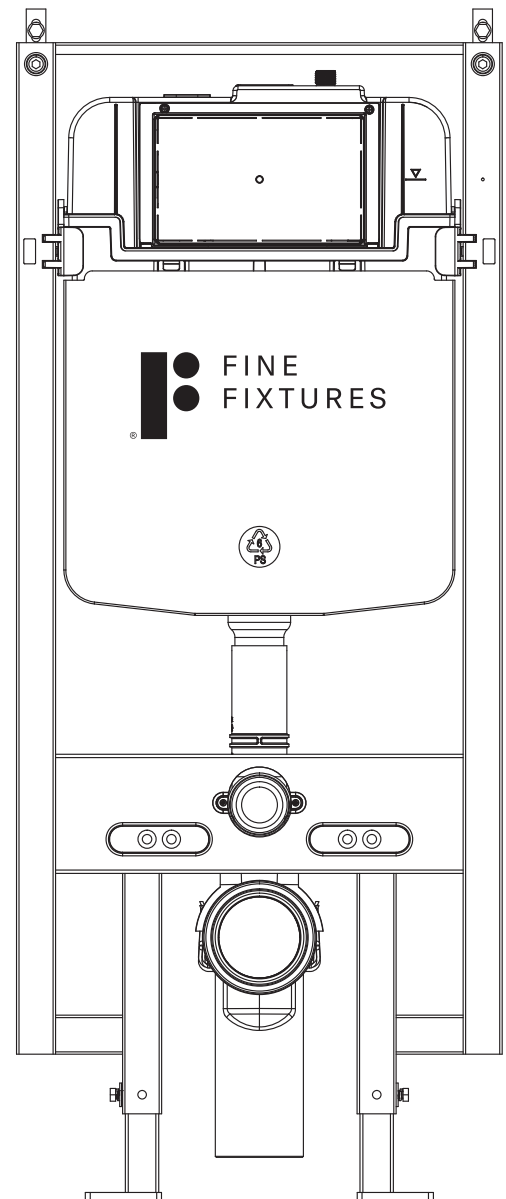


INSTALLATION INSTRUCTIONS

CONCEALED TANK

FOR SENSOR
ACTUATOR



MODEL# SNCT04



READ ALL INSTRUCTIONS BEFORE UNPACKING THE PRODUCT



INSTRUCTIONS THAT, IF IGNORED, COULD RESULT IN DEATH OR SERIOUS INJURY CAUSED BY INCORRECT HANDLING OR INSTALLATION OF THE PRODUCT. THESE INSTRUCTIONS MUST BE OBSERVED FOR SAFE INSTALLATION.

CAUTION!



TWO PERSON LIFT REQUIRED

TWO (2) PEOPLE ARE REQUIRED TO LIFT DURING ENTIRE INSTALLATION PROCESS OF THIS PRODUCT.



INSTALLATION OF THIS PRODUCT BY AN INEXPERIENCED INSTALLER MAY RESULT IN PERSONAL INJURY OR DEATH!

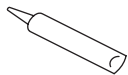


We reserves the right to change, update, modify, alter, redesign this manual/product or its policies without prior notice! It is your responsibility to visit the website to download or contact customer service for the most updated version of the installation instructions.

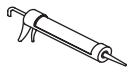
We shall not be liable for any injuries or property damages in connection with this product during installation or use of this product!

- Limited warranty is void on any commercial installation.
- We are not responsible for local code compliance for this product.
- Building and plumbing codes may vary from state-to-state in accordance to your location.
- We are not responsible for providing any compliance certifications.
- We are not responsible to provide any type of certifications for this product.
- Under no circumstances we shall not be liable for any and all incidental damages sustained in connection with this product Neither manufacture, nor distributor, nor retailer is responsible for water damage or flood caused due to use of this product.
- Under no circumstances We shall not be liable for any and all fees, cost of installation/re-installation/removal, subsequent damage or transportation in case of the product defect.

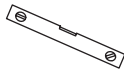
TOOLS REQUIRED FOR INSTALLATION



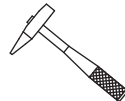
Silicone



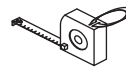
Silicone / Caulk Gun



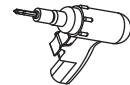
Level



Hammer



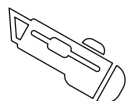
Tape Measure



Drill



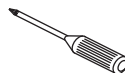
Safety Glass



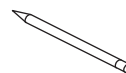
Knife



Soft Cloth or Blanket



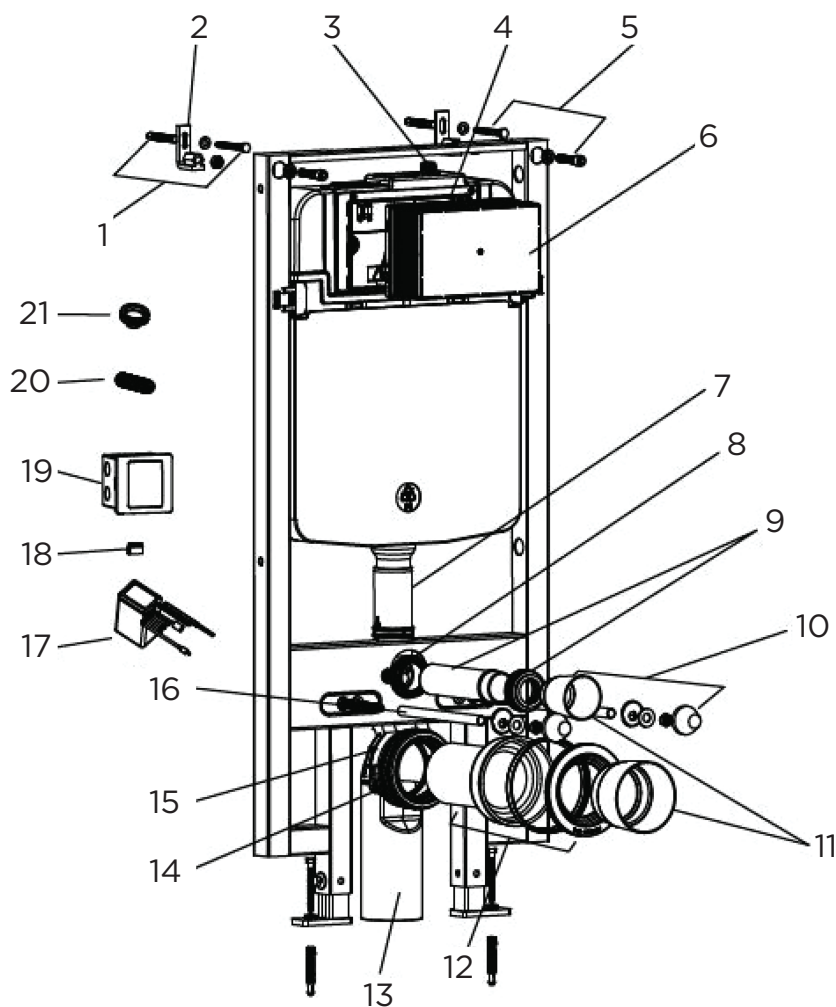
Phillips Screwdriver



Pencil / Marker



Drill bit



LIST OF MAIN INSTALLATION ACCESSORIES

Nº	DESCRIPTION	QTY	FUNCTION
1	Expansion Screw	4	Fixation of frame
2	Wall bracket	2	Fixation of frame
3	Angle Valve	1	Water inlet switch of fill valve
4	Cistern cover	1	To fix locking bracket
5	Socket head screw	2	To mount and lock metal frame to wall bracket
6	Plastic holder	1	To reserve space for installation of actuator at wall building
7	Connecting tube	1	Water inlet to ceramic bowl
8	Fixing screws	2	To fix connecting tube
9	Flushing piping	1	To supply water from cistern to toilet (Length to be adjusted according to wall thickness)
10	Connecting screw	2	To mount ceramic bowl
11	Piping stopper	2	To reserve space for flushing / discharging piping at wall building
12	Connecting pipe	1	To discharge waste from toilet (Length to be adjusted according to wall thickness)
13	Draining syphon	1	To discharge waste from toilet
14	Mounting bracket	1	To mount draining syphon
15	Draining Syphon Holder	1	To mount draining syphon
16	Protective cover	2	To protect connecting screw at wall building
17	Power box (12V)	1	Convert 110V-220V AC to 12V DC for induction panel
18	Connection terminal	2	Connect the power box AC terminal cable and indoor AC cable (optional)
19	Junction box	1	Storage power box, terminal block and its connected wires (optional)
20	Routing tube	1	Connect the water tank and junction box to facilitate the 12V DC end of the power supply box (optional)
21	Cone washer	1	To fix line (optional)



i IMPORTANT INSTRUCTIONS

- Please adhere to the following installation instructions. We shall not be responsible for failures and loss that are contributed to improper installation.
- Please confirm the fixation location of cistern prior to installation and obtain the finished floor surface. Draw FFL on installation wall and follow it as baseline from ZERO (0) level.
- The instructions have been composed based in the latest product specifications. We reserve the right to make modifications to the packaging and specifications without providing prior notification.

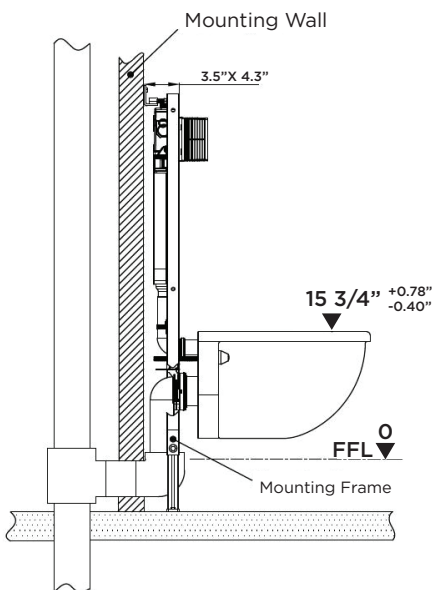
NOTES

- Mount before bricks building.
- All size unit in Inches (").
- Follow the material product, should there is an unconformity with drawing.

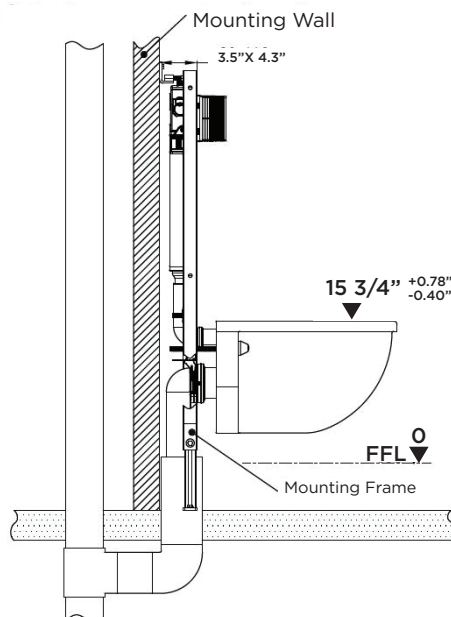
FFL⁰ = Finished Floor.

Drawing 1 to 3 are three different installation systems for drain pipe. Customer should confirm whichever installation system according to drainage outlet position. If drainage outlet does not fall within the three systems, customer should follow one of three drainage system layout to correspond installation of our concealed cistern.

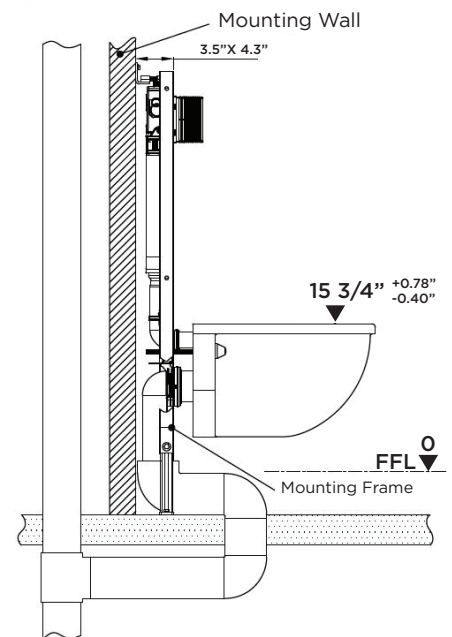
A DRAINAGE SYSTEM LAYOUT



B DRAINAGE SYSTEM LAYOUT

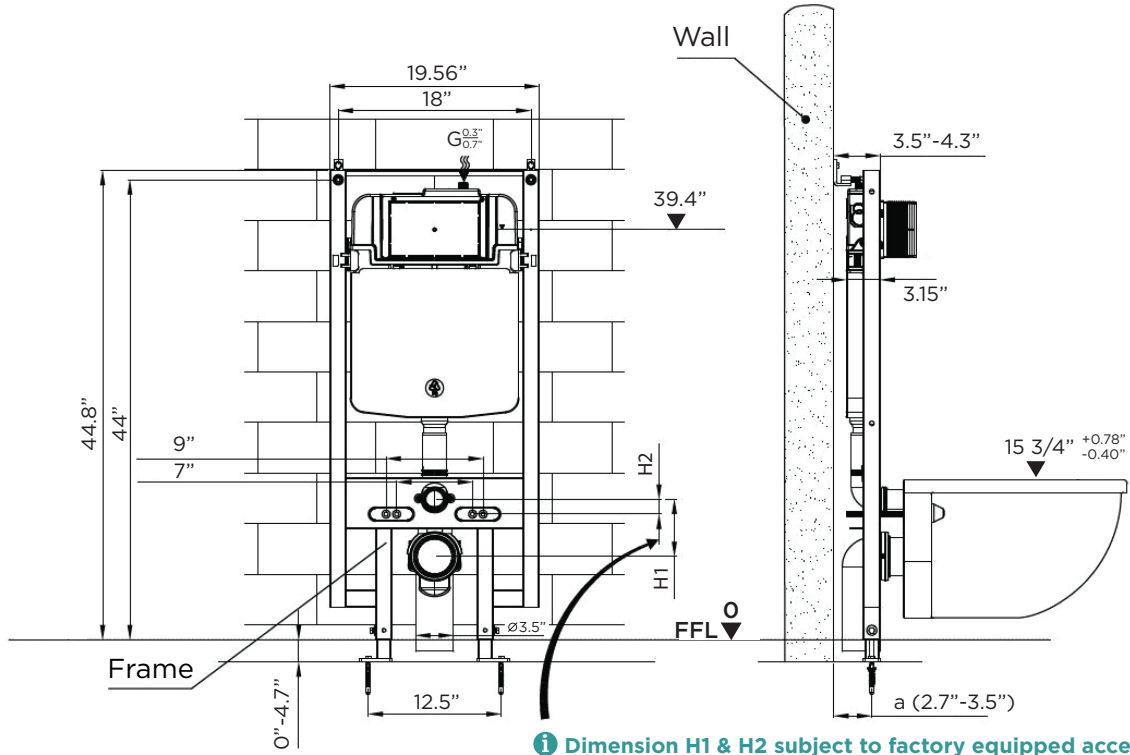


C DRAINAGE SYSTEM LAYOUT



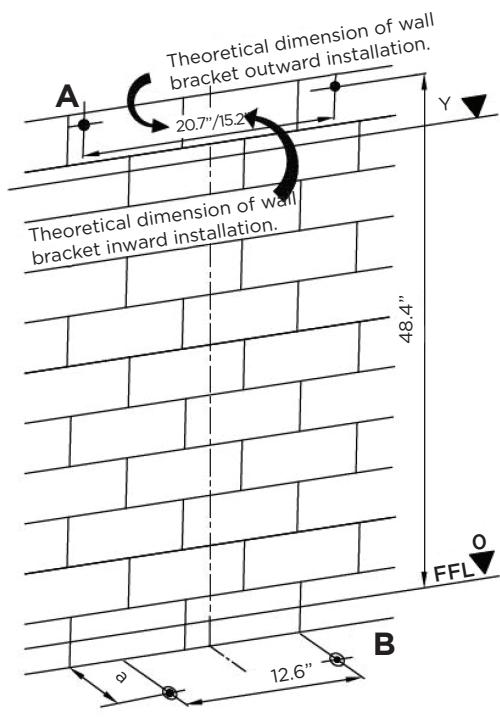


1 GENERAL DIMENSION AND WATER SUPPLY DRAWING



i Dimension H1 & H2 subject to factory equipped accessories.

2 DRILL THE HOLES AND INSERT THE EXPANSION BOLT



STEP 2.1 DRILL A HOLE

STEP 2.2 INSERT EXPANSION SCREW

STEP 2.3 FIX WALL BRACKET INTO WALL

i Bracket can be mounted inwardly and outwardly. The hole A distance will be different.

A dimension according to practical location of flushing pipe.

STEP 2.4 DRILL A HOLE

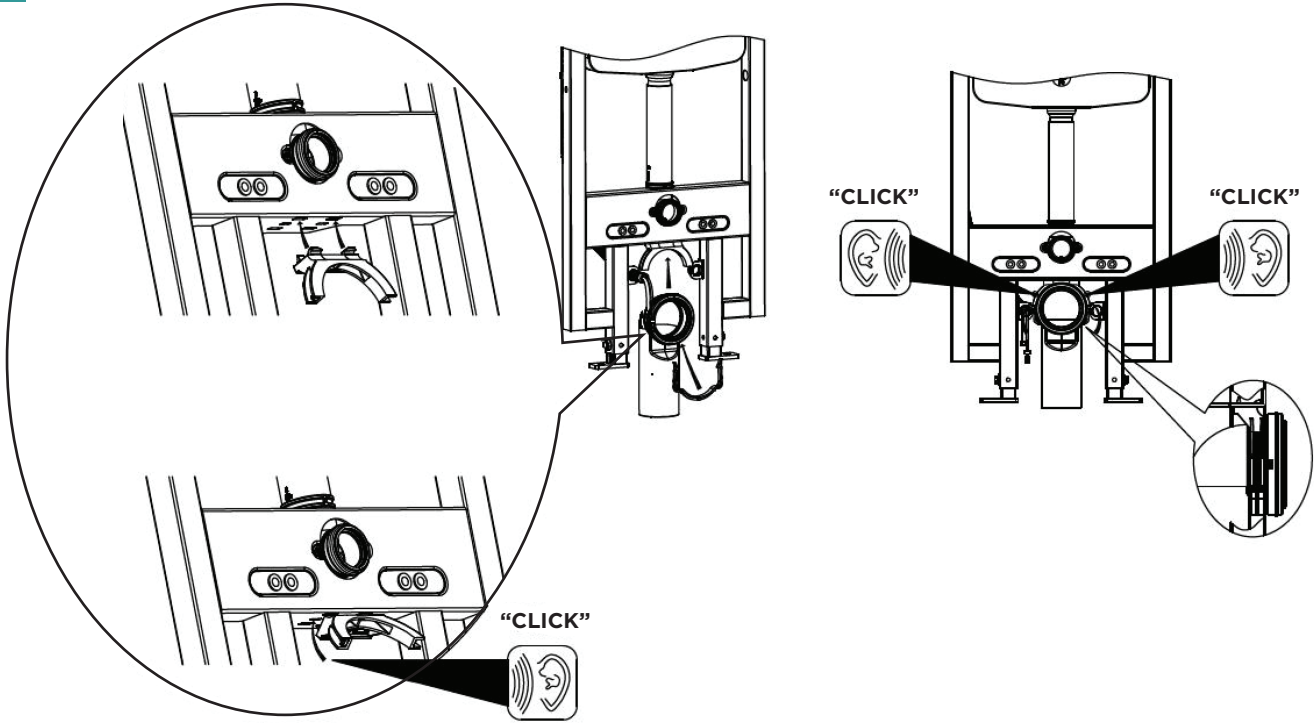
STEP 2.5 INSERT EXPANSION SCREW

i Above drilling are theoretical dimensions of frame mounting. Please follow by the practical location of frame.



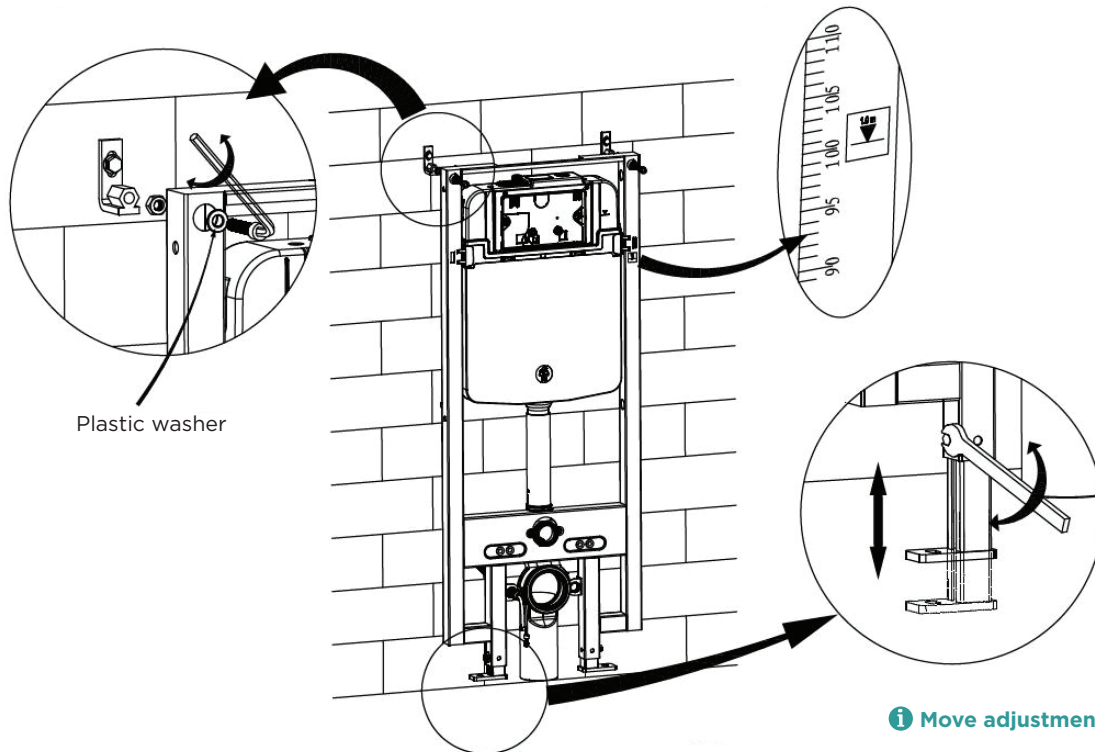
3

INSTALLATION OF DRAINING SIPHON



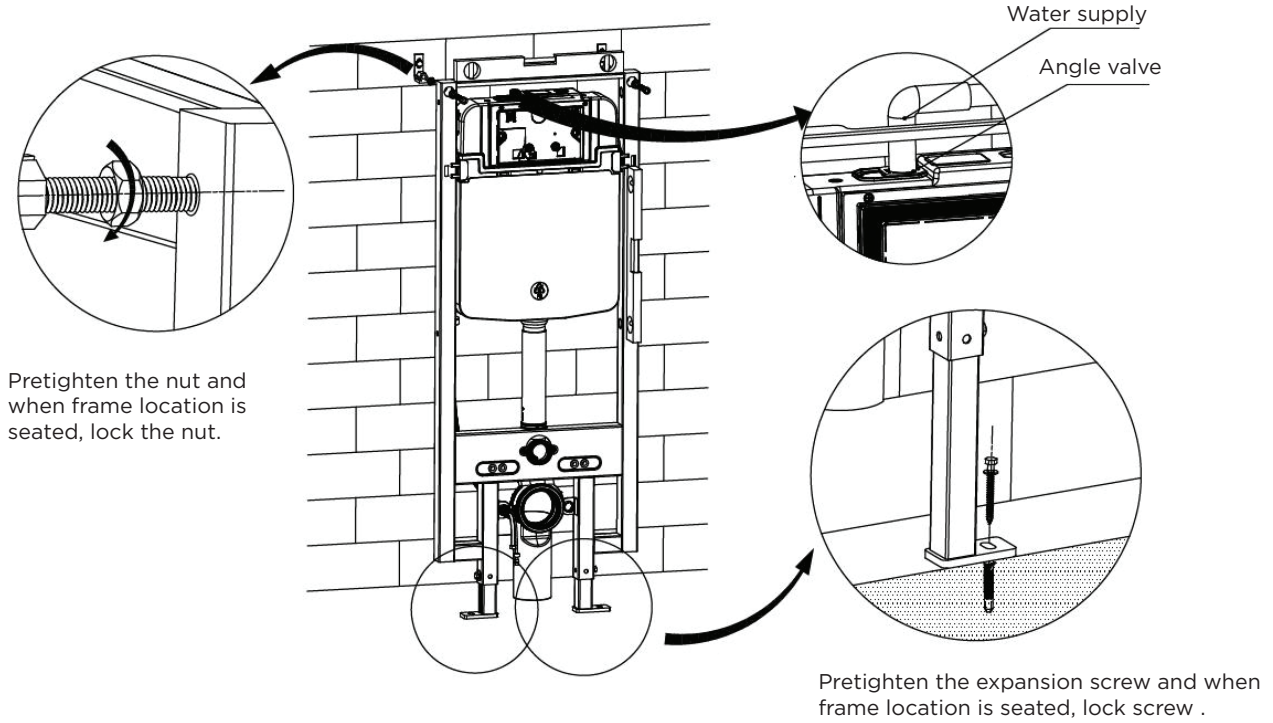
4

ADJUSTMENT OF SOCKET HEAD SCREW AND FLOOR FIXING ACCESSORIES





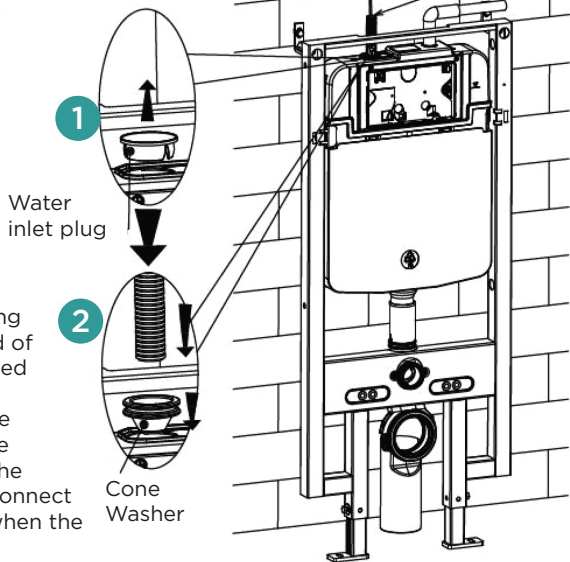
5 ADJUST THE FRAME, THEN FIX IT, AND INSTALL WATER SUPPLY



6 POWER BOX (12V) INSTALLATION

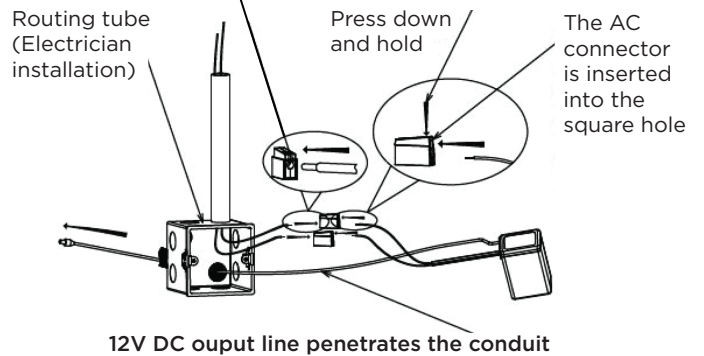
Note: The junction box (including the cable tube, terminal block) should be selected according to actual needs

1. Remove water inlet plug and install cone washer



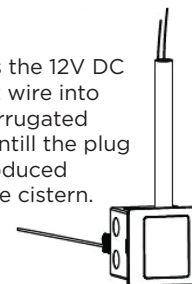
2. Fix the routing tube to the end of the wall-mounted cable tube and connect it to the inner end of the water tank to the junction box (connect to the ceiling when the junction box is not equipped)

The AC wire (copper wire diameter 1.6-2.0mm) is inserted into the hole



3. Pass the 12V DC output wire into the corrugated tube until the plug is introduced into the cistern.

4. The AC connection is connected to the indoor AC cable that leads to the junction box through the terminal block.

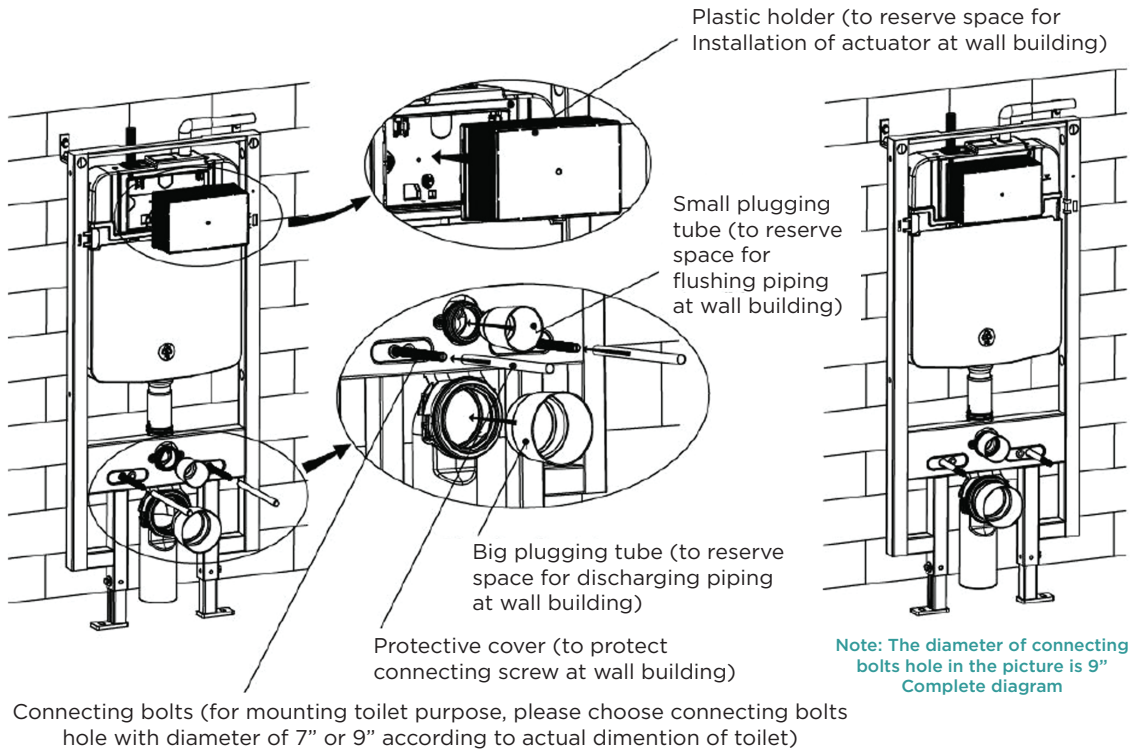


5. Put the power box, terminal block and each connecting wire into the junction box and fasten the cover.



7

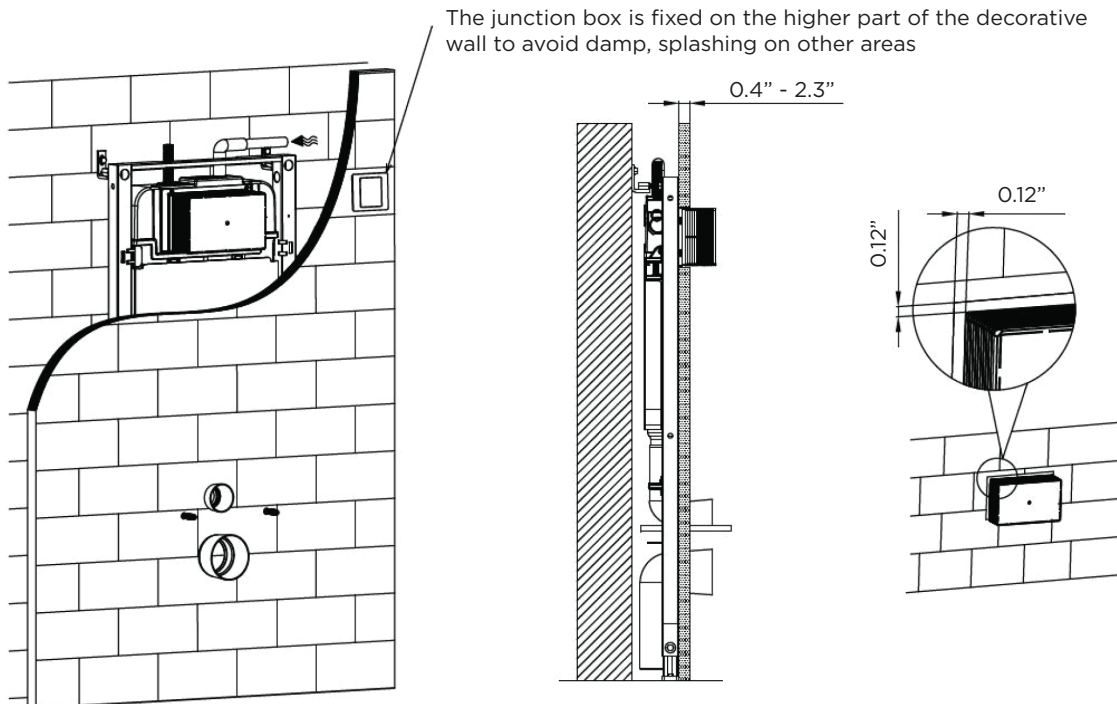
MOUNTING OF INSTALLATION ACCESORIES



8

WALL THICKNESS RANGES BETWEEN 0.7" X 2.3"

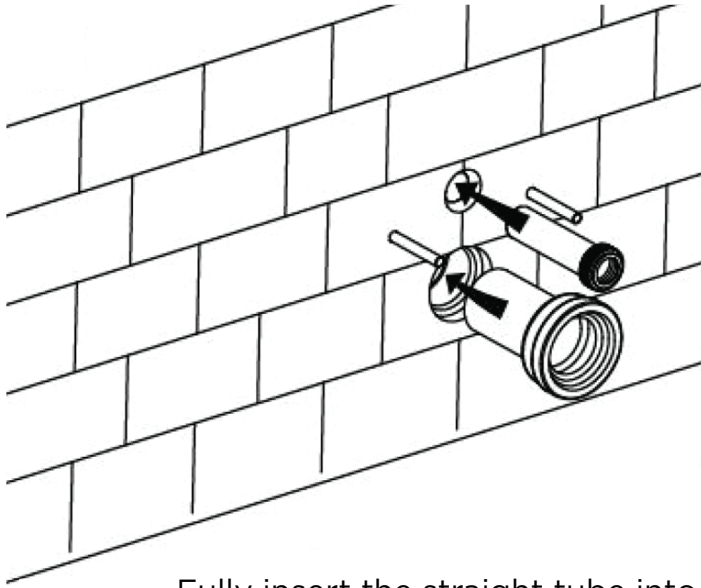
(From the outside surface of the mounting frame to finished wall)





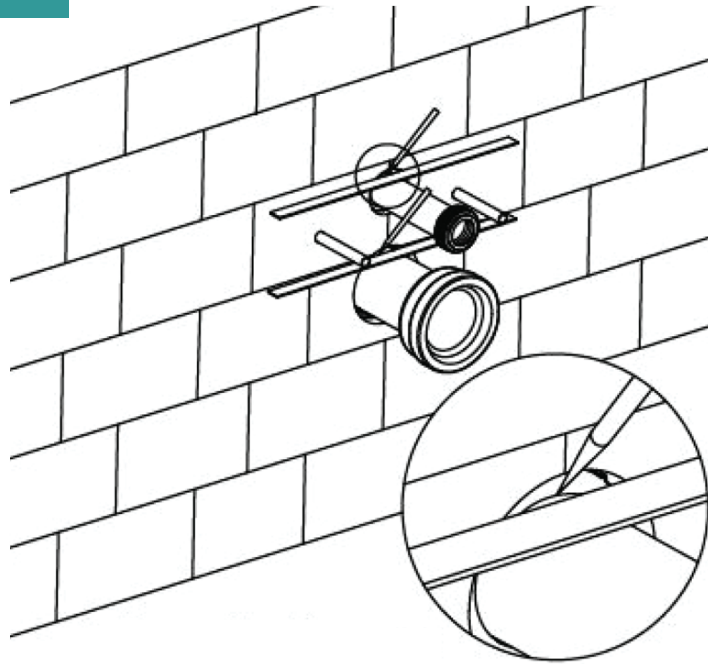
9

MOUNTING OF CERAMIC BOWL



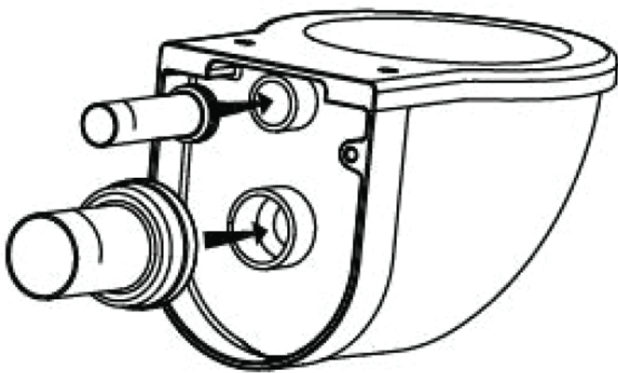
Fully insert the straight tube into cistern flushing outlet and connecting pipe into discharging outlet.

10



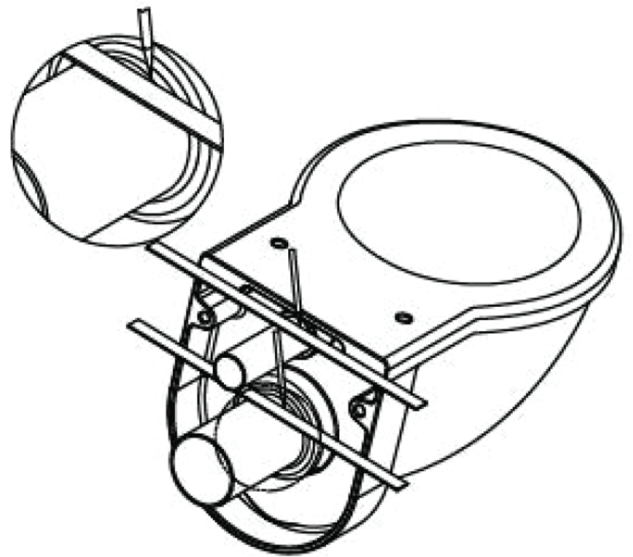
Draw the lines as above picture.

11



Apply lubricant on rubber washers of straight tube and connecting pipe, then insert into ceramic holes.

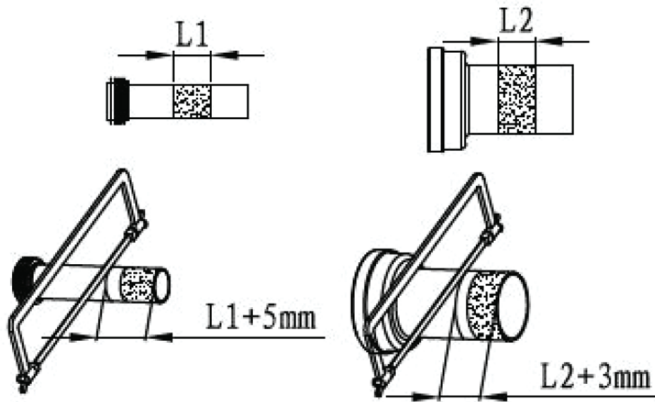
12



Draw the lines as above picture.



13 MOUNTING OF CERAMIC BOWL



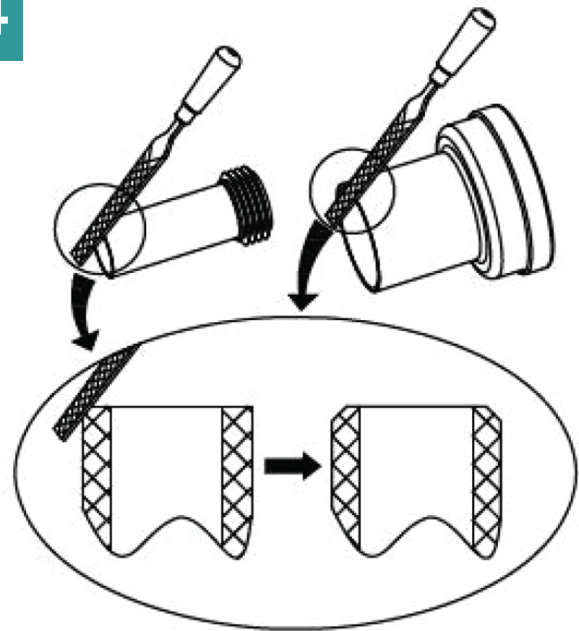
AS PER DRAWING:

L1. Distance between the two lines on straight tube.

L2. Distance between the two lines on connecting pipe.

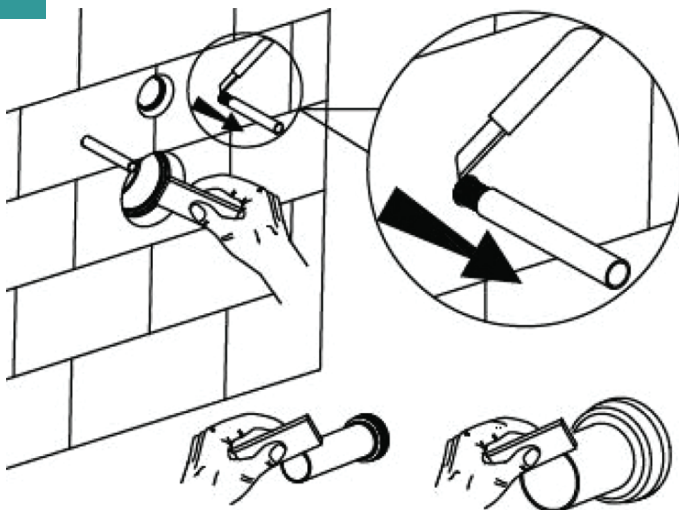
Cut the straight tube and connecting pipe as per above drawing.

14



Polishing the cutting surface to get chamfer angle as per drawing and deburring.

15



Cut the protection sleeve outside of the wall with a knife.
Apply lubricant on joint surface of straight tube and connecting pipe.

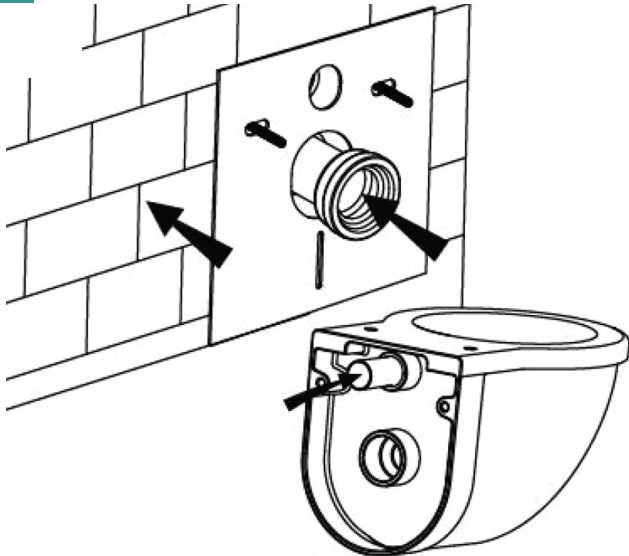
16



Adjust length of connecting bolt to be 3/4" diameter.

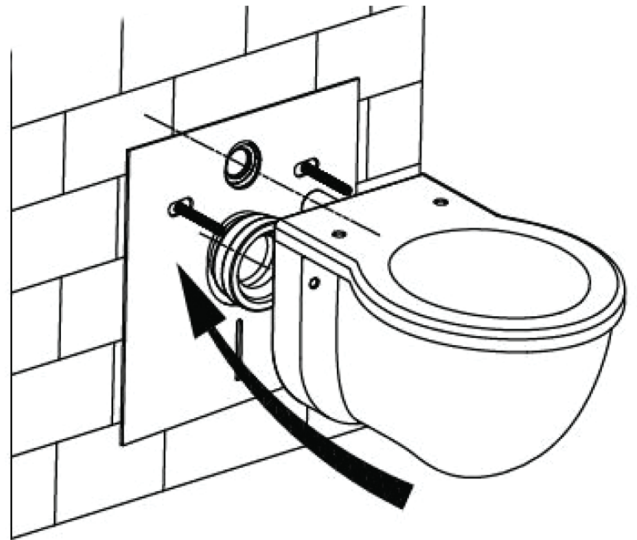


17



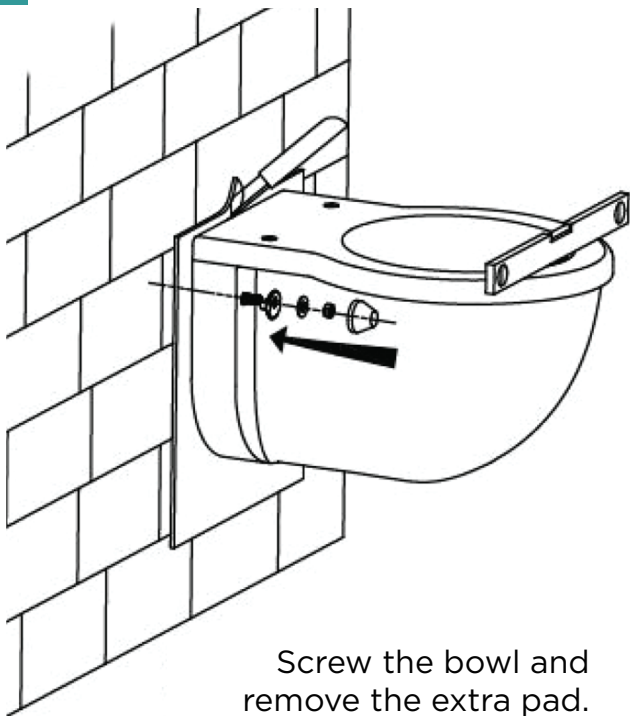
Firstly insert connecting pipe into discharging outlet and straight tube into ceramic hole.

18



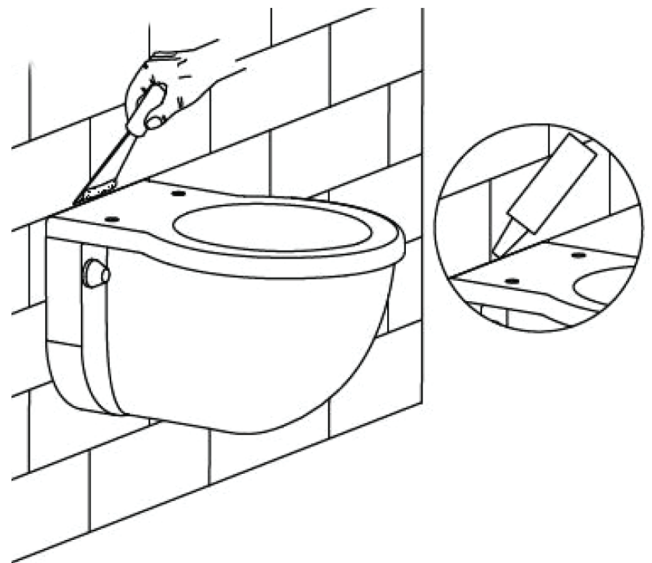
Mounting the ceramic bowl.

19



Screw the bowl and remove the extra pad.

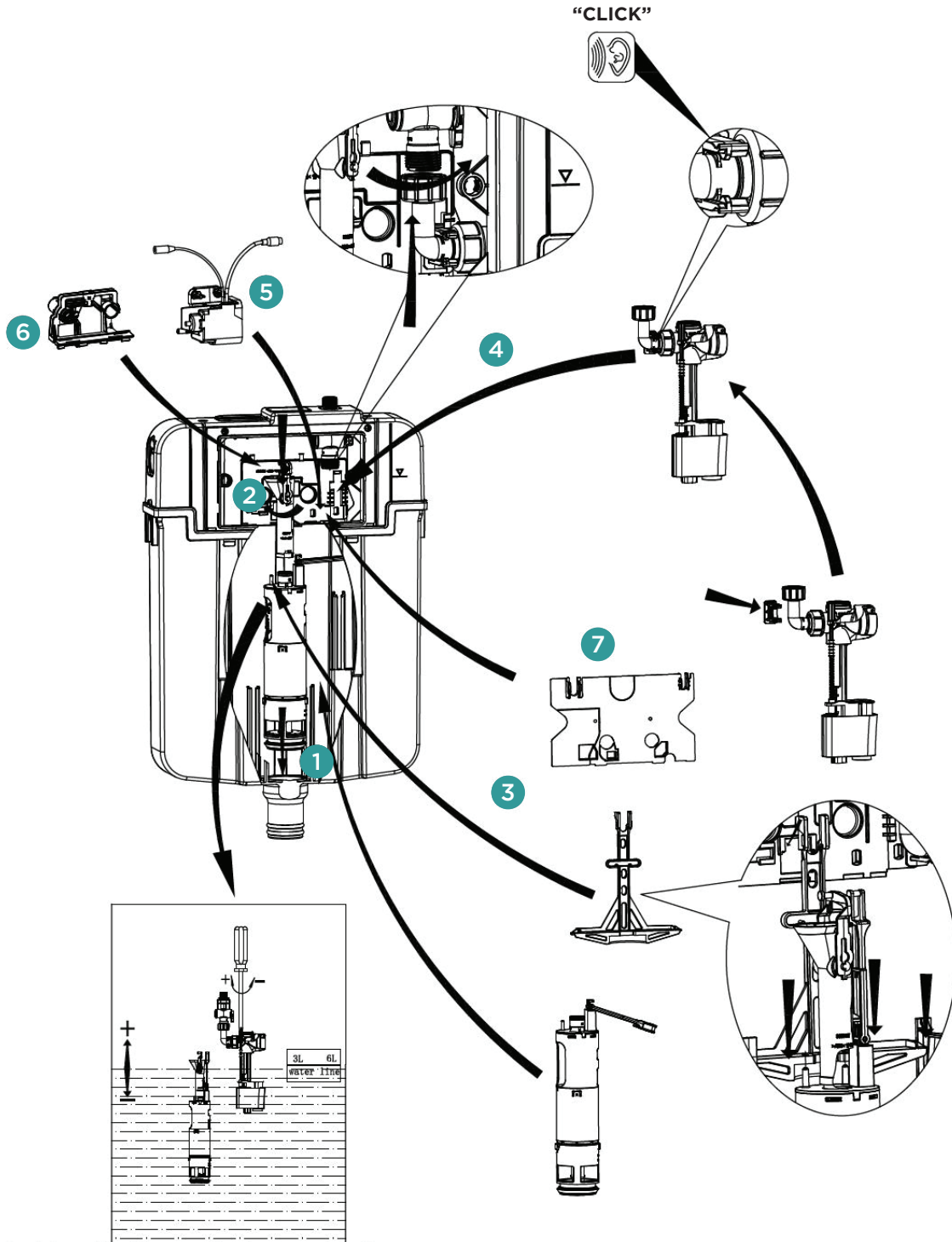
20



Fill the gap with white cement or glass cement.



INTERNAL FLUSHING MECHANISM ASSEMBLY DRAWING



The internal flushing mechanism are already well-assembled and above picture only for reference.



206 WEMBLY ROAD - NEW WINDSOR, NY 12553
P: 718.602.6060 F: 718.963.2082 - E: INFO@FINEFIXTURES.COM
TOLL FREE: 1.877.8FIXTURES

FINEFIXTURES.COM

